

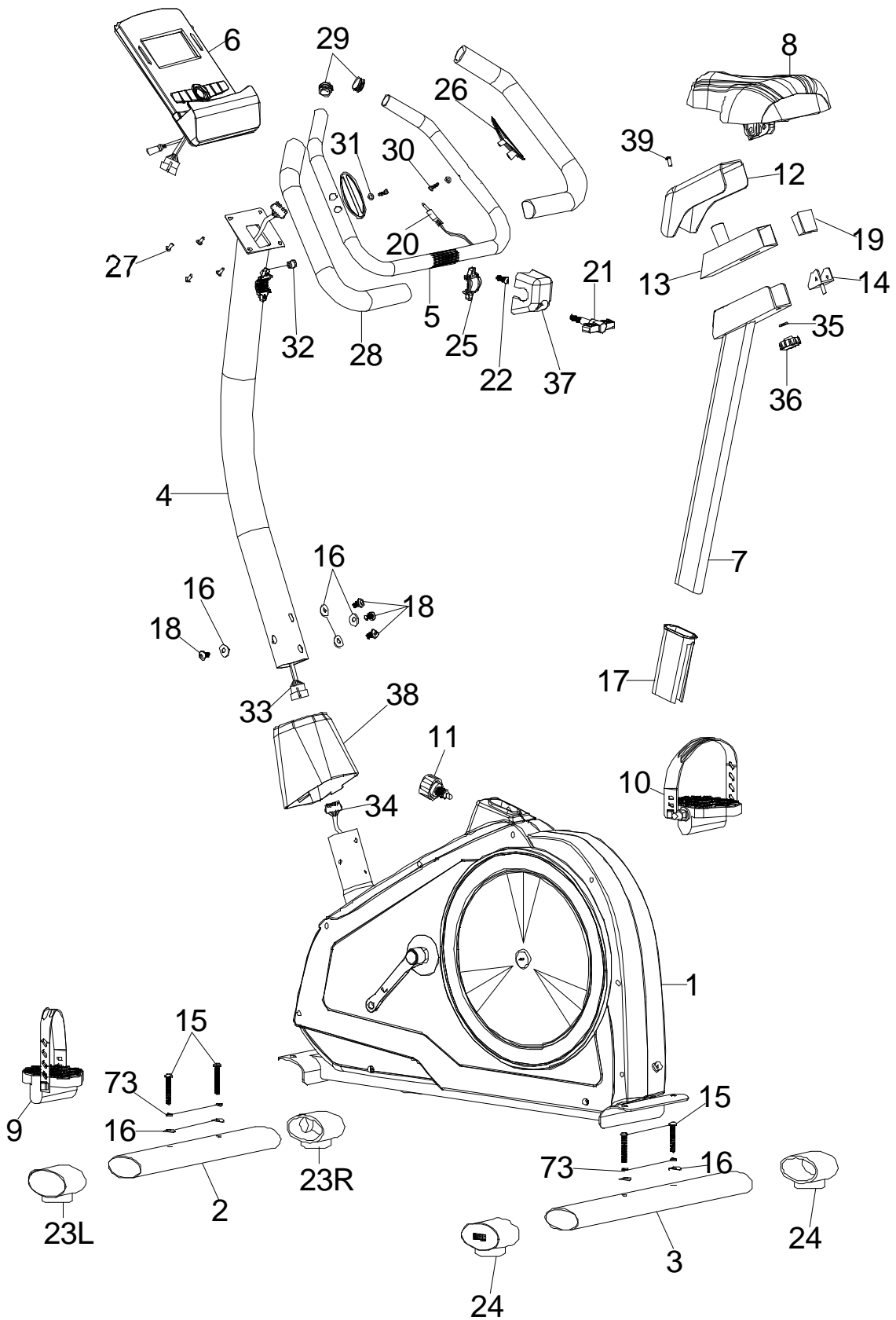
## PARTS LIST

Part No.	Description	Q'ty
1	Main frame	1
2	Front stabilizer	1
3	Rear stabilizer	1
4	Front post	1
5	Handlebar	1
6	Console	1
7	Seat post	1
8	Seat	1
9	Pedal ( L )	1
10	Pedal ( R )	1
11	Quick release knob	1
12	Cover for sliding seat	1
13	Sliding seat	1
14	U type connection	1
15	Allen bolt M8*55	4
16	Curved washer $\Phi 8 \times \Phi 20$	8
17	Bushing for seat post	1
18	Allen screw M8*16	4
19	End cap for sliding tube	1
20	Lower hand pulse wire	2
21	T-type knob	1
22	Allen screw M8*20	2
23	End cap for front stabilizer ( L&R )	1/1
24	End cap for rear stabilizer ( L&R )	2
25	Clamp	1
26	Hand pulse sensor	2
27	Screw M5*10	4
28	Foam grip for handlebar	2
29	End cap for handlebar	2
30	Self-tapping screw ST4*20	2
31	Flat washer $\Phi 4.2 \times \Phi 12$	2
32	Grommet	1
33	Upper sensor cable	1
34	Lower sensor cable	1
35	Washer $\Phi 8 \times \Phi 17$	2
36	Club knob	1
37	Cover for clip	1
38	Cover for front post	1
39	Self-tapping screw	10

## PARTS LIST

<b>Part No.</b>	<b>Description</b>	<b>Q'ty</b>
40	Self-tapping screw ST5*15	7
41	Motor	1
42	Power wire	1
43	Motor wire	1
44	Sensor cable	1
45	Chain cover (L/R)	1/1
46	Run disc cover	2
47	End cap for crank	2
48	Crank L	1
49	Crank R	1
50	Flange nut	4
51	Cover for chain cover	2
52	Flywheel	1
53	Magnet assembly	1
54	Nylon nut M8	2
55	Bolt M8*55	1
56	Bushing for magnet assembly	2
57	Snap spring	2
58	Bearing 6203	2
59	Nylon nut M6	4
60	Belt pulley	1
61	Axle	1
62	Allen screw M6*15	4
63	Sensor bracket	1
64	Belt	1
65	Hex head bolt M6*25	1
66	Hex head nut M6	2
67	Spring for magnet assembly	1
68	Spring	1
69	Bolt	1
70	Nut M8	1
71	Idler wheel	1
72	Plastic spacer	1
73	Spring washer	4
74	Decorative ring	1

# EXPLODED DIAGRAM



# EXPLODED DIAGRAM

